

**LSP380 Issue 3  
Metal Halide 575 w  
Portable light weight  
Suez Canal Searchlight**

### APPLICATION

The all new metal halide **Portable Suez Searchlight** now available with innovative design features in order to meet the requirements of Suez Canal Authority. The fully portable searchlight exceeds traditional light outputs of significantly larger and heavier units available in the market.

The generous specification includes lamp changeover, split beam reflectors and long life metal halide lamps. The electronic PSU is the latest technology and itself is integrated into the crutch, therefore the package is truly self contained and easily portable. The Suez searchlight is obligatory for ships passing through the canal.

### PART NUMBERS

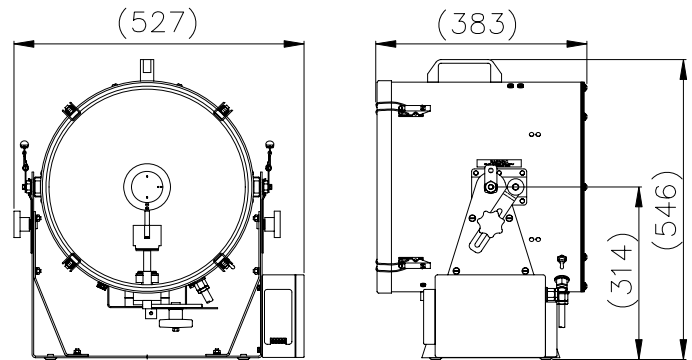
Type	Supply	Part No.
LSP380	110v 50/60 HZ	A2273
LSP380	240v 50/60 HZ	A2274

### SPECIFICATION

- Constructed from Marine grade materials and fixings.
- Stoved enamel paint finish.
- Parabolic split glass reflector.
- Sealing protection to IP65.
- Light weight, only 15.8 KG, including searchlight and PSU.
- New light weight electronic PSU.
- Fitted with lamp changeover system, in event of lamp failure.
- Produced with 575w metal halide lamp fitment with hot re-strike.
- New external levers allowing the beams to be split accurately.
- Elevation +5° to -35°.
- Split beam of two 20° sections giving a credible 40° split arc.
- Fixed focus
- Shoulder carry strap fitted as standard, offering safer and ease of transportation.

### PERFORMANCE DATA

Voltage	Lamp life	Range	PBCP	Div	Watts	Lamp Cap	Lamp Part No.
110v	1000 hours	3767 mts	14,190,201	2.1°	575w	G22	D15764
240v	1000 hours	3767 mts	14,190,201	2.1°	575w	G22	D15764



All Dimensions in Millimetres

### Base fixings

4 holes  $\varnothing 12.7$  at 350 X 200mm, plus one central hole  $\varnothing 16.5$ mm.

**For more information contact:**

**Francis Searchlights Limited**  
 Union Road, Bolton, BL2 2HJ, UK  
 Tel 44 (0) 1204 558960 Fax 44 (0) 1204 558979  
 Email sales@francis.co.uk Web site www.francis.co.uk