

Simetra

Low Glare Downlight with Specular Reflector



Low glare specular reflector

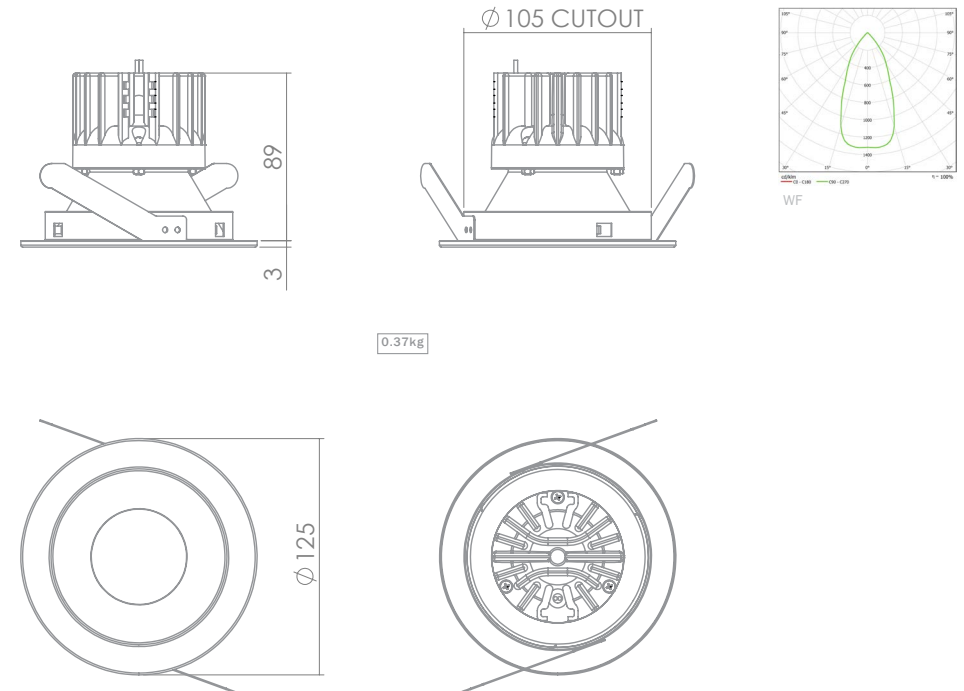
Up to 842 delivered lumens

Efficacy of up to 83 luminaire lumens per circuit Watt

Finish(es): Matt White (MW)

Options: Non-Self Test Emergency (-E), Self Test Emergency (-S), Self Test DALI Emergency (-D)

Beam Angle(s): 48°/(WF), 54°/(WF)



0.37kg

Order Codes:

e.g. SRLGMW/TN2-675-830/WF/AND-E

Product	Finish	Light Engine-Lumens	Photometric Code	Beam	Drivers	Options
SRLG	MW	/TN2-675	-827 -830 -930 -840	/WF	/AND /ATD /A10 /ADL /HL2 /ODV	-E -S -D
		/AR2-1000	-827 -830 -840	/WF	/AND /ATD /A10 /ADL /LDV /HL2 /ODV	-E -S -D
		/BCT-700	-VCT	/WF	/DX2 /HL2	-E -S -D
		/BCP-700	-CPR	/WF	/HL2	-E -S -D

Cut-out adapters available - see website for further details

NB: Unless stated, all dimensions are in mm

Performance Data for SRLG

Description	
Order Code	
Illuminance Comparable To	

	Titan II 675	Aries II 1000		BLE Circadian	BLE CircadianPLUS w/ RGB	
Cost Effective	Yes	No		No	No	
High Output	No	Yes		No	No	
Order Code	TN2-675	AR2-1000		BCT-700-VCT	BCP-700-CPR	
Illuminance Comparable To	50W LV Halogen	18W CFL / 75W LV Halogen		-	-	

Light Engine Power	
LED (Source) Lumens (L ₁₀₀) *	
Luminaire / System Power ***	
For Drivers: I / Vmax	

Light Engine Power	6.2W	8.4W		10W	9.3W	
LED (Source) Lumens (L ₁₀₀) *	727 lm	1063 lm @ 4000K		803 lm @ 6500K	844 lm @ 6500K	
Luminaire / System Power ***	7.5W	10.1W		13W @ 6500K	12.8W @ 6500K	
For Drivers: I / Vmax	350 mA / 24V	700 mA / 16V		N/A****	N/A****	

Beam Angle(s) (Measured)**

Beam Angle(s) (Measured)**	54°/(WF)	48°/(WF)		54°/(WF)	54°/(WF)	
----------------------------	----------	----------	--	----------	----------	--

Delivered Lumens (L ₁₀₀) @	> 80 R _a 2700K					
	> 90 R _a 2700K	-	-		-	-
	> 80 R _a 3000K	537 lm	739 lm		-	-
	> 90 R _a 3000K	423 lm	-		-	-
	> 80 R _a 4000K	572 lm	842 lm		593 lm @ 6500K	623 lm @ 6500K
	> 90 R _a 4000K	-	-		-	-

Luminaire Efficacy (lm/cW)	> 80 R _a 2700K					
	> 90 R _a 2700K	-	-		-	-
	> 80 R _a 3000K	72 lm/cW	73 lm/cW		-	-
	> 90 R _a 3000K	57 lm/cW	-		-	-
	> 80 R _a 4000K	77 lm/cW	83 lm/cW		46 lm/cW @ 6500K	49 lm/cW @ 6500K
	> 90 R _a 4000K	-	-		-	-

Initial / Maintained SDCM	<3 / <3
Rated Life (L ₇₀ F ₁₀)	50,000 hours
Lumen Maintenance Category	Cat 1 / Code 9

Initial / Maintained SDCM	<3 / <3	<3 / <3		<3 / <3 @ 6500K	<3 / <3 @ 6500K	
Rated Life (L ₇₀ F ₁₀)	50,000 hours	50,000 hours		50,000 hours	50,000 hours	
Lumen Maintenance Category	Cat 1 / Code 9	Cat 1 / Code 9		Cat 1 / Code 9	Cat 1 / Code 9	

^{NB} for UK Building Regs Part L1, achieves 75 Lamp l/cW @ 4000K

^{NB} for UK Building Regs Part L1, achieves 66 Lamp l/cW @ 4000K

Drivers & Controls***

Drivers	Non-Dimming					
	Mains Dimming	/AND	/AND		-	-
	1-10 Dimming	/ATD	/ATD		-	-
	0-10 Dimming	/A10	/A10		-	-
	Push Dimmable	-	-		-	-
	DALI	-	-		-	-
	DMX	/ADL	/ADL		-	-
	Lutron EcoSystem	-	-		-	/DX2
	Halcyon#	/HL2	/HL2		-	/HL2
	No Driver	/ODV	/ODV		-	-

NB: All figures +/- 10%.
Data in grey is indicative.
CRI shift at 6000 hours remains within 3 points of the rated CRI.

* @ 3000K Ra80
*** with recommended driver @ 25°C ambient, Power factor > 0.9, full data available in driver data sheets.

** Measured, half value angle (/code)

Requires LV PSU